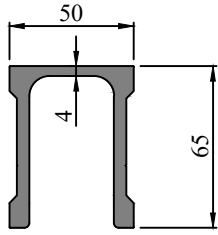
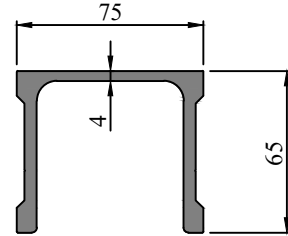


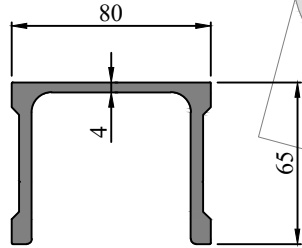
SEC. NO. IS00190
WEIGHT - 2.56 Kg/M



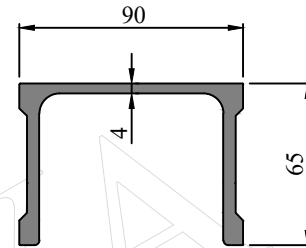
SEC. NO. IS00191
WEIGHT - 2.80 Kg/M



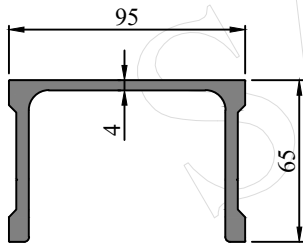
SEC. NO. IS00192
WEIGHT - 2.88 Kg/M



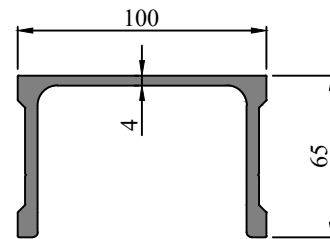
SEC. NO. IS00193
WEIGHT - 3.00 Kg/M



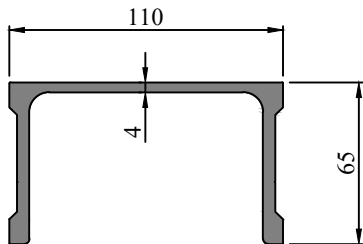
SEC. NO. IS00194
WEIGHT - 3.00 Kg/M



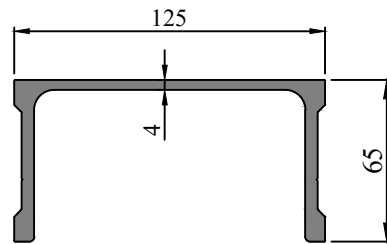
SEC. NO. IS00129
WEIGHT - 3.10 Kg/M



SEC. NO. IS00195
WEIGHT - 3.20 Kg/M



SEC. NO. IS00128
WEIGHT - 3.40 Kg/M



ALL DIMENSIONS ARE IN MM

WEIGHT TOLERANCE ± 7 TO 10%

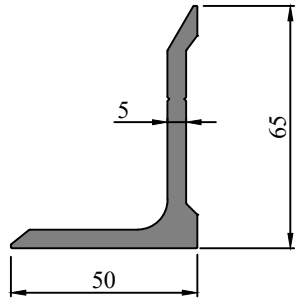
REVISED ON DATE - 01/03/2024

SATYA METAL INDUSTRIES PVT.LTD

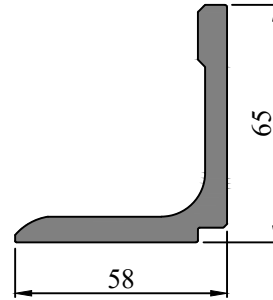
Address : Khasra No.480, Shimla Pistaar, Kichha Road Rudrapur, U.s.Nagar, Uttarakhand - 263153
Mob: 08477897789 | 09415215083 | E-mail : satyametal@rediffmail.com | Website : www.satyametal.com

01

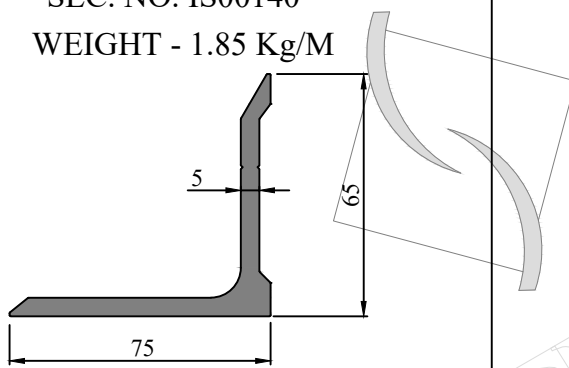
SEC. NO. IS00139
WEIGHT - 1.50 Kg/M



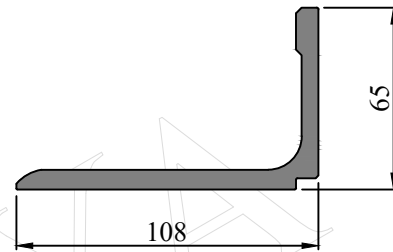
SEC. NO. IS00197
WEIGHT - 2.07 Kg/M



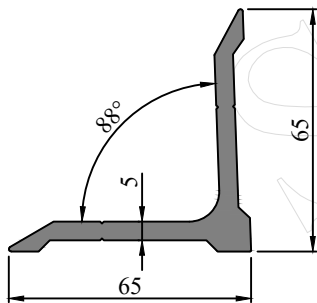
SEC. NO. IS00140
WEIGHT - 1.85 Kg/M



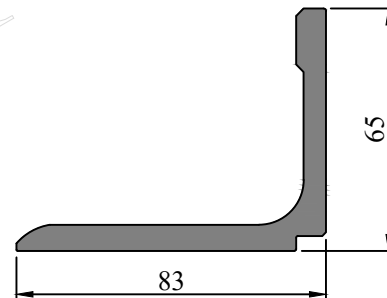
SEC. NO. IS00198
WEIGHT - 3.00 Kg/M



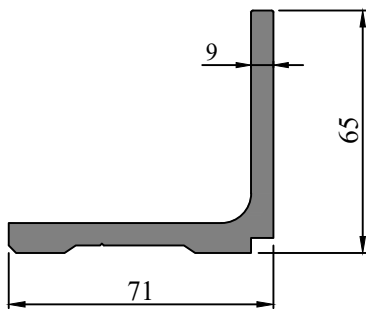
SEC. NO. IS00210
WEIGHT - 1.71 Kg/M



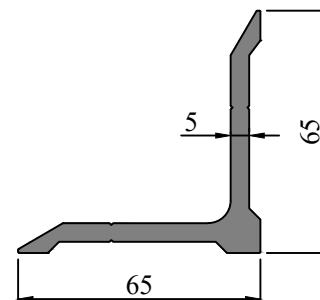
SEC. NO. IS00200
WEIGHT - 2.50 Kg/M



SEC. NO. IS00136R1
WEIGHT - 2.25 Kg/M



SEC. NO. IS0041
WEIGHT - 1.70 Kg/M



ALL DIMENSIONS ARE IN MM

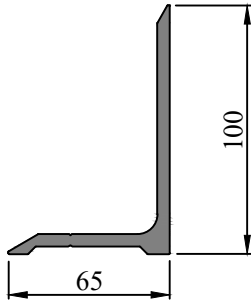
WEIGHT TOLERANCE ± 7 TO 10%

REVISED ON DATE - 01/03/2024

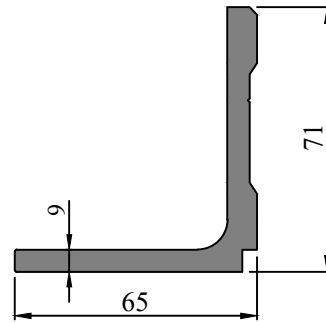
SATYA METAL INDUSTRIES PVT.LTD

Address : Khasra No.480, Shimla Pistaar, Kichha Road Rudrapur, U.s.Nagar, Uttarakhand - 263153
Mob: 08477897789 | 09415215083 | E-mail : satyametal@rediffmail.com | Website : www.satyametal.com

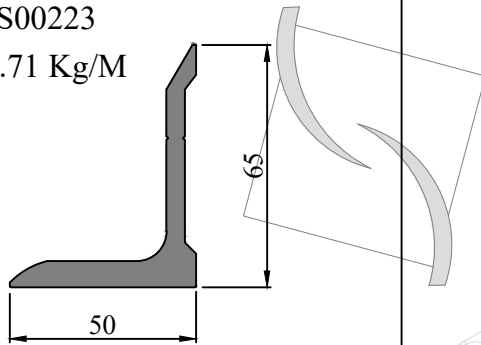
SEC. NO. IS00141
 WEIGHT - 2.20 Kg/M



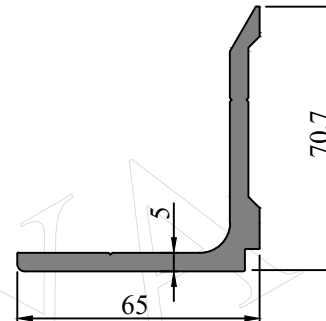
SEC. NO. IS00136R1
 WEIGHT - 2.25 Kg/M



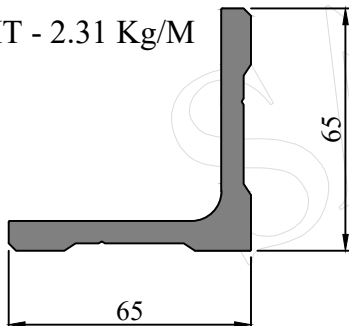
SEC. NO. IS00223
 WEIGHT - 1.71 Kg/M



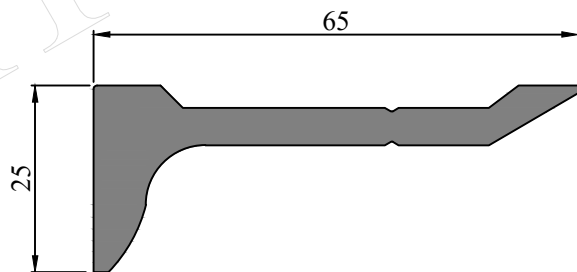
SEC. NO. IS0042
 WEIGHT - 1.80 Kg/M



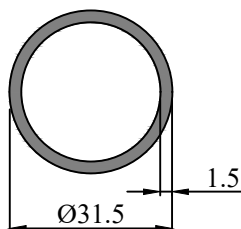
SEC. NO. IS00227
 WEIGHT - 2.31 Kg/M



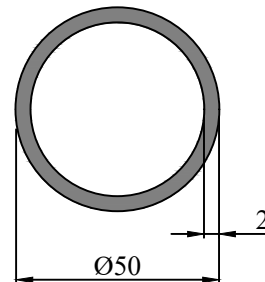
SEC. NO. IS00209
 WEIGHT - 1.24 Kg/M



SEC. NO. 301310
 WEIGHT - 0.365 Kg/M



SEC. NO. 301950
 WEIGHT - 0.815 Kg/M



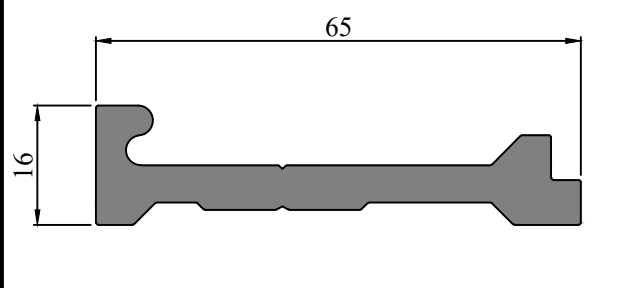
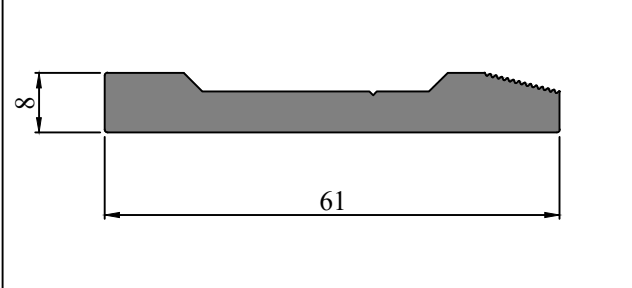
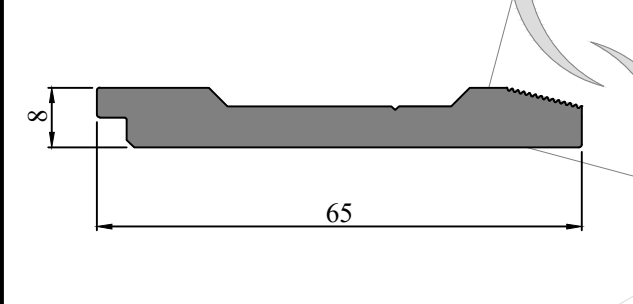
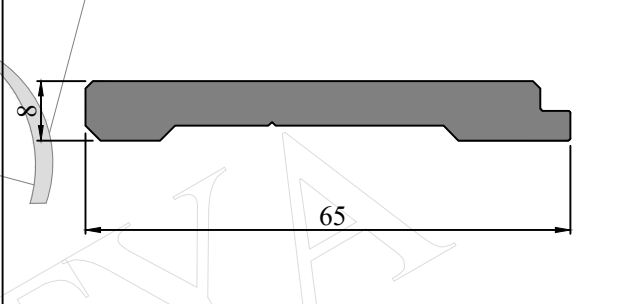
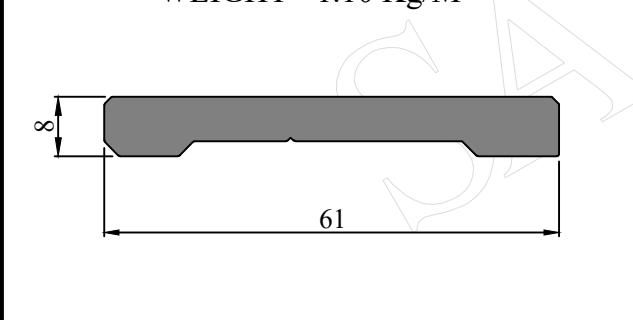
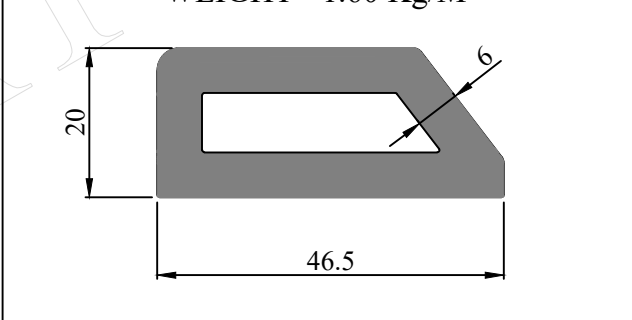
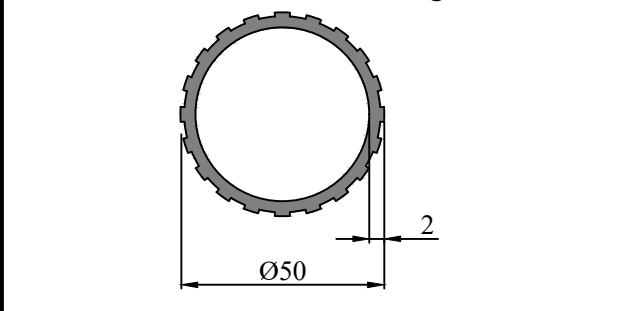
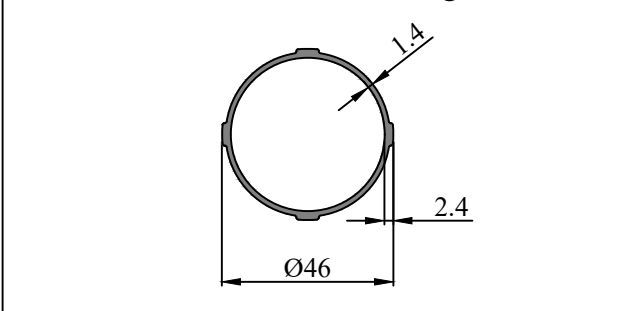
ALL DIMENSIONS ARE IN MM

WEIGHT TOLERANCE ± 7 TO 10%

REVISED ON DATE - 01/03/2024

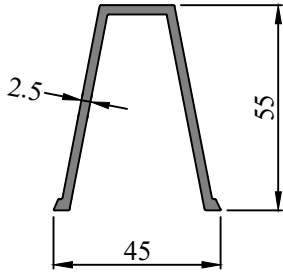
SATYA METAL INDUSTRIES PVT.LTD

Address : Khasra No.480, Shimla Pistaar, Kichha Road Rudrapur, U.s.Nagar, Uttarakhand - 263153
 Mob: 08477897789 | 09415215083 | E-mail : satyametal@rediffmail.com | Website : www.satyametal.com

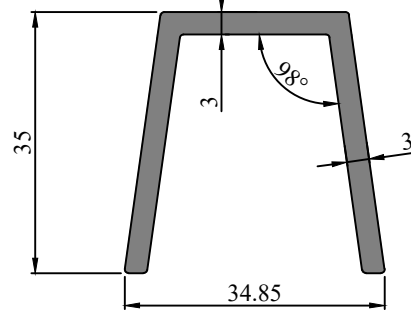
<p>SEC.NO. IS0015 WEIGHT - 1.20 Kg/M</p> 	<p>SEC. NO. IS0017 WEIGHT - 1.0 Kg/M</p> 
<p>SEC. NO. IS0018 WEIGHT - 1.10 Kg/M</p> 	<p>SEC. NO. IS0043 WEIGHT - 1.10 Kg/M</p> 
<p>SEC. NO. IS0044 WEIGHT - 1.10 Kg/M</p> 	<p>SEC. NO. IS00138 WEIGHT - 1.60 Kg/M</p> 
<p>SEC. NO. 335010 WEIGHT - 0.700 Kg/M</p> 	<p>SEC. NO. IS00156 WEIGHT - 0.570 Kg/M</p> 

ALL DIMENSIONS ARE IN MM	WEIGHT TOLERANCE ± 7 TO 10%	REVISED ON DATE - 01/03/2024
--------------------------	---------------------------------	------------------------------

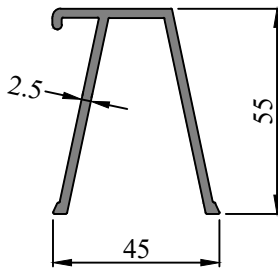
SEC. NO. IS0059
 WEIGHT - 0.880 Kg/M



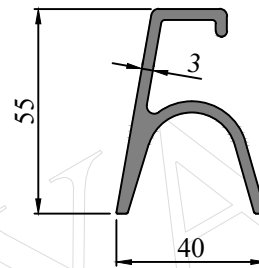
SEC. NO. IS00211
 WEIGHT - 1.71 Kg/M



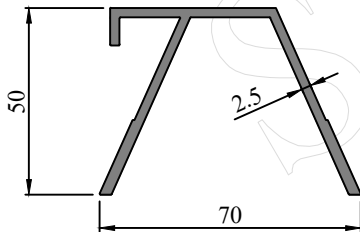
SEC. NO. IS0060
 WEIGHT - 0.970 Kg/M



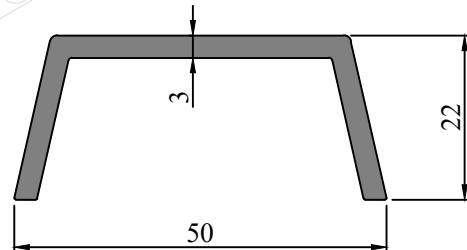
SEC. NO. IS0019
 WEIGHT - 1.10 Kg/M



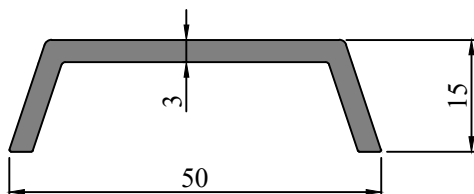
SEC. NO. IS00213
 WEIGHT - 1.115 Kg/M



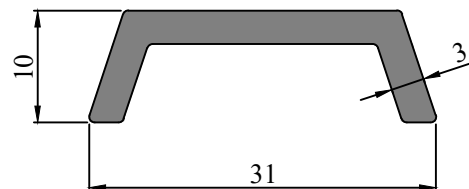
SEC. NO. IS0016
 WEIGHT - 0.640 Kg/M



SEC. NO. IS0014
 WEIGHT - 0.540 Kg/M



SEC. NO. IS00208
 WEIGHT - 0.327 Kg/M



ALL DIMENSIONS ARE IN MM

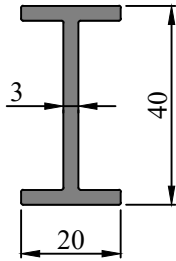
WEIGHT TOLERANCE ± 7 TO 10%

REVISED ON DATE - 01/03/2024

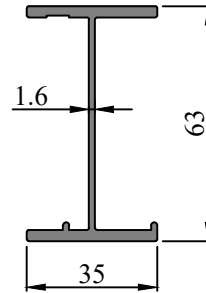
SATYA METAL INDUSTRIES PVT.LTD

Address : Khasra No.480, Shimla Pistaar, Kichha Road Rudrapur, U.s.Nagar, Uttarakhand - 263153
 Mob: 08477897789 | 09415215083 | E-mail : satyametal@rediffmail.com | Website : www.satyametal.com

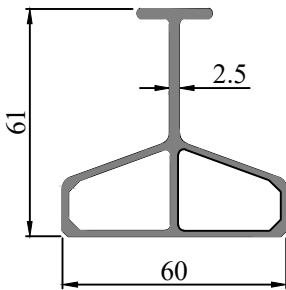
SEC. NO. IS00137
 WEIGHT - 0.600 Kg/M



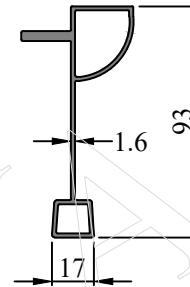
SEC. NO. IS00157
 WEIGHT - 0.820 Kg/M



SEC. NO. IS0013
 WEIGHT - 1.10 Kg/M



SEC. NO. IS00158
 WEIGHT - 1.10 Kg/M



ALL DIMENSIONS ARE IN MM

WEIGHT TOLERANCE ± 7 TO 10%

REVISED ON DATE - 01/03/2024

SATYA METAL INDUSTRIES PVT.LTD

Address : Khasra No.480, Shimla Pistaar, Kichha Road Rudrapur, U.s.Nagar, Uttarakhand - 263153
 Mob: +91-8477897789 | +91-9415215083 | E-mail : satyametal@rediffmail.com | Website : www.satyametal.com