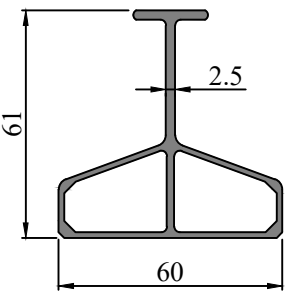
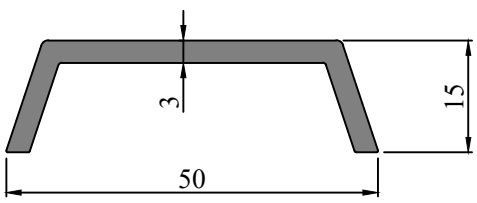
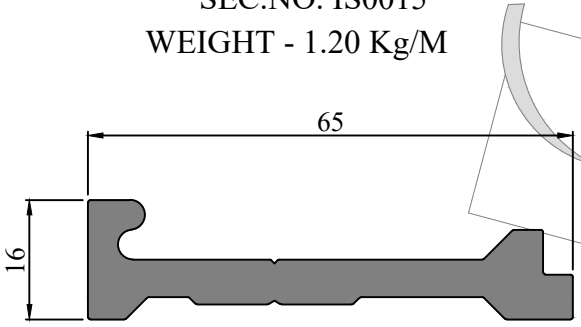
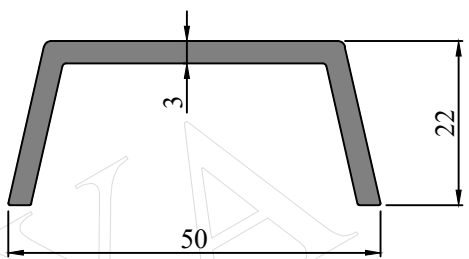
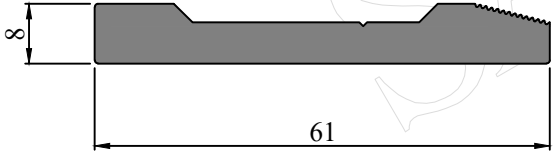
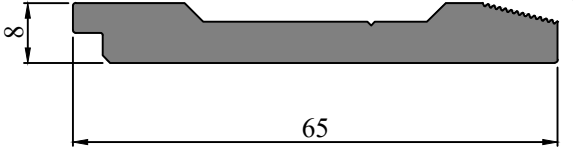
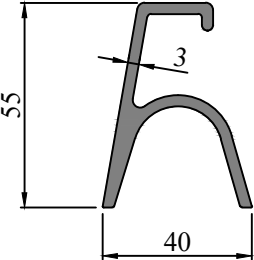
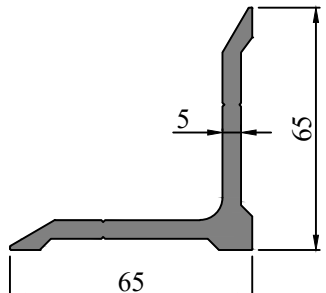


<p>SEC. NO. IS0013 WEIGHT - 1.10 Kg/M</p> 	<p>SEC.NO. IS0014 WEIGHT - 0.540 Kg/M</p> 
<p>SEC.NO. IS0015 WEIGHT - 1.20 Kg/M</p> 	<p>SEC.NO.IS0016 WEIGHT - 0.640 Kg/M</p> 
<p>SEC. NO. IS0017 WEIGHT - 1.0 Kg/M</p> 	<p>SEC. NO. IS0018 WEIGHT - 1.10 Kg/M</p> 
<p>SEC. NO. IS0019 WEIGHT - 1.10 Kg/M</p> 	<p>SEC. NO. IS0041 WEIGHT - 1.70 Kg/M</p> 

ALL DIMENSIONS ARE IN MM

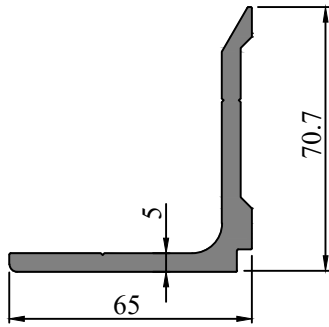
WEIGHT TOLERANCE  $\pm 7$  TO 10%

REVISED ON DATE - 01/03/2024

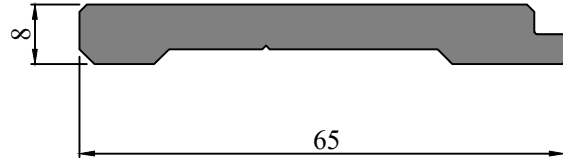
SATYA METAL INDUSTRIES PVT.LTD

Address : Khasra No.480, Shimla Pistaar, Kichha Road Rudrapur, U.s.Nagar, Uttarakhand - 263153  
Mob: 08477897789 | 09415215083 | E-mail : satyametal@rediffmail.com | Website : www.satyametal.com

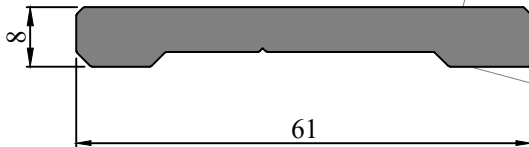
SEC. NO. IS0042  
WEIGHT - 1.80 Kg/M



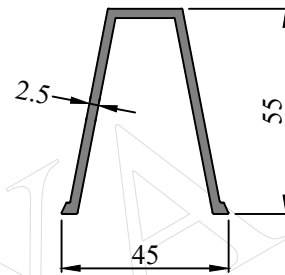
SEC. NO. IS0043  
WEIGHT - 1.10 Kg/M



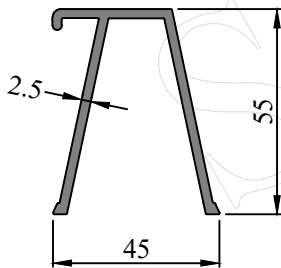
SEC. NO. IS0044  
WEIGHT - 1.10 Kg/M



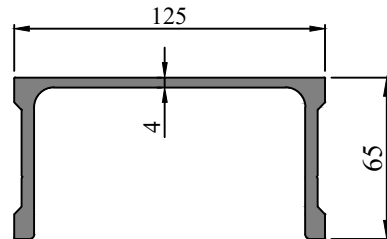
SEC. NO. IS0059  
WEIGHT - 0.880 Kg/M



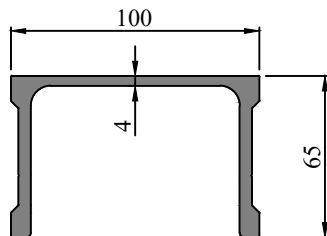
SEC. NO. IS0060  
WEIGHT - 0.970 Kg/M



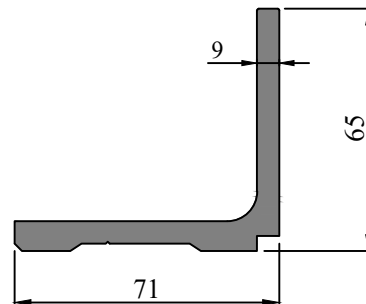
SEC. NO. IS00128  
WEIGHT - 3.40 Kg/M



SEC. NO. IS00129  
WEIGHT - 3.10 Kg/M



SEC. NO. IS00136R1  
WEIGHT - 2.25 Kg/M



ALL DIMENSIONS ARE IN MM

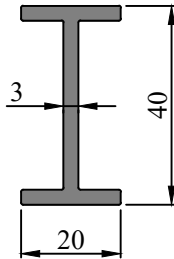
WEIGHT TOLERANCE  $\pm 7$  TO 10%

REVISED ON DATE - 01/03/2024

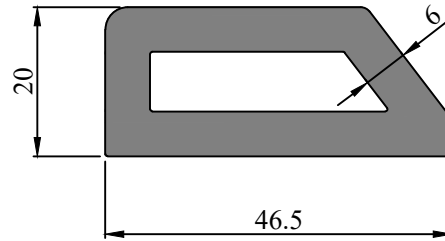
SATYA METAL INDUSTRIES PVT.LTD

Address : Khasra No.480, Shimla Pistaar, Kichha Road Rudrapur, U.s.Nagar, Uttarakhand - 263153  
Mob: 08477897789 | 09415215083 | E-mail : satyametal@rediffmail.com | Website : www.satyametal.com

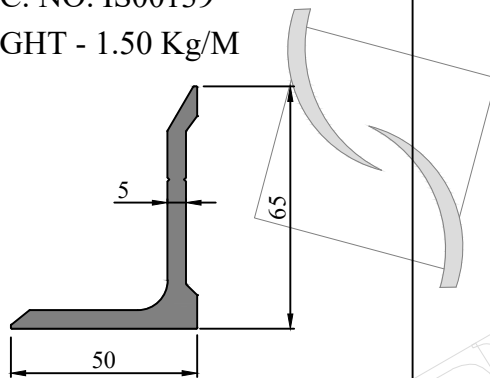
SEC. NO. IS00137  
 WEIGHT - 0.600 Kg/M



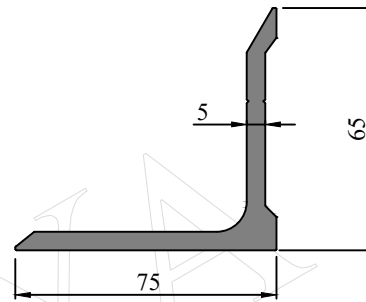
SEC. NO. IS00138  
 WEIGHT - 1.60 Kg/M



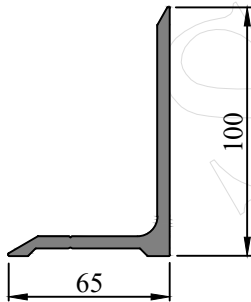
SEC. NO. IS00139  
 WEIGHT - 1.50 Kg/M



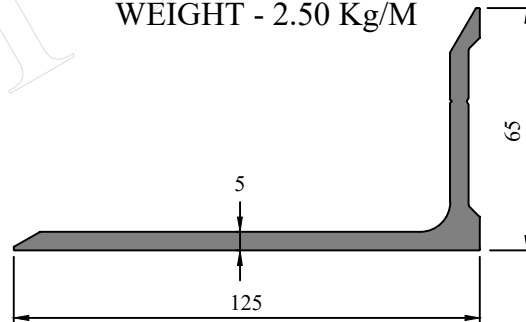
SEC. NO. IS00140  
 WEIGHT - 1.85 Kg/M



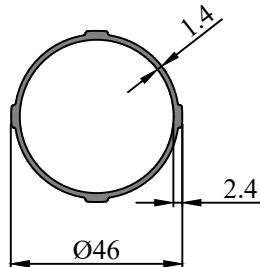
SEC. NO. IS00141  
 WEIGHT - 2.20 Kg/M



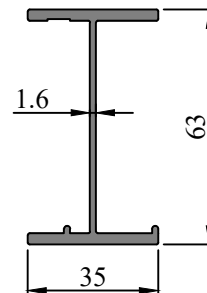
SEC. NO. IS00142  
 WEIGHT - 2.50 Kg/M



SEC. NO. IS00156  
 WEIGHT - 0.570 Kg/M



SEC. NO. IS00157  
 WEIGHT - 0.820 Kg/M



ALL DIMENSIONS ARE IN MM

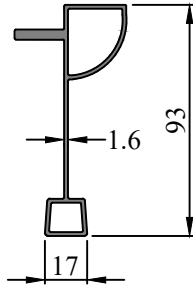
WEIGHT TOLERANCE  $\pm 7$  TO 10%

REVISED ON DATE - 01/03/2024

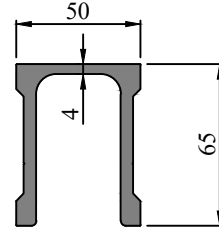
SATYA METAL INDUSTRIES PVT.LTD

Address : Khasra No.480, Shimla Pistaar, Kichha Road Rudrapur, U.s.Nagar, Uttarakhand - 263153  
 Mob: 08477897789 | 09415215083 | E-mail : satyametal@rediffmail.com | Website : www.satyametal.com

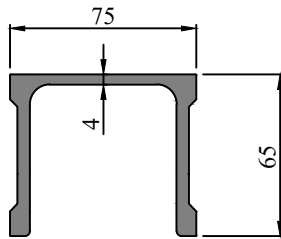
SEC. NO. IS00158  
WEIGHT - 1.10 Kg/M



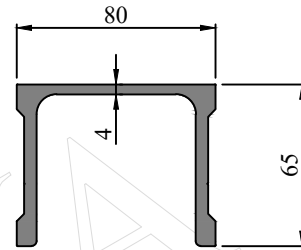
SEC. NO. IS00190  
WEIGHT - 2.56 Kg/M



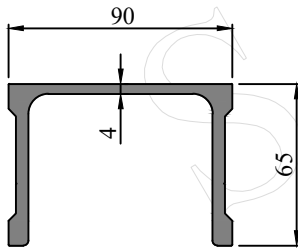
SEC. NO. IS00191  
WEIGHT - 2.80 Kg/M



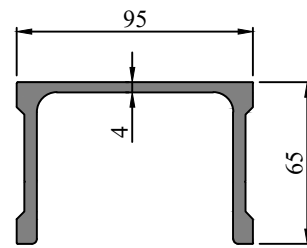
SEC. NO. IS00192  
WEIGHT - 2.88 Kg/M



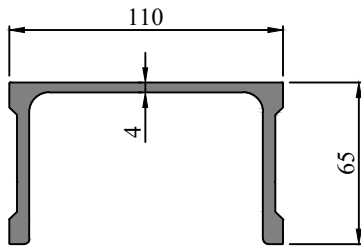
SEC. NO. IS00193  
WEIGHT - 3.00 Kg/M



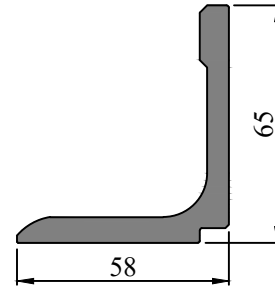
SEC. NO. IS00194  
WEIGHT - 3.00 Kg/M



SEC. NO. IS00195  
WEIGHT - 3.20 Kg/M



SEC. NO. IS00197  
WEIGHT - 2.07 Kg/M



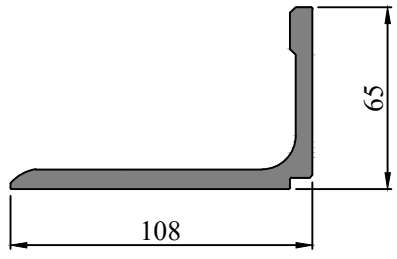

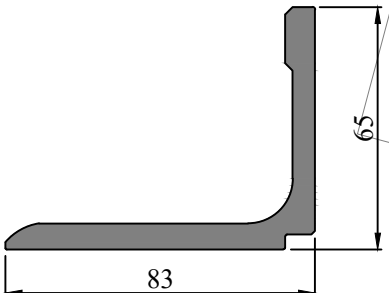
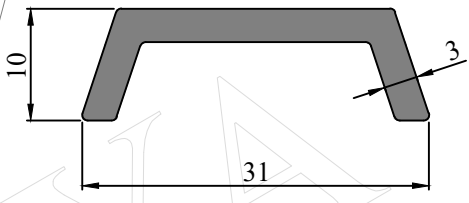
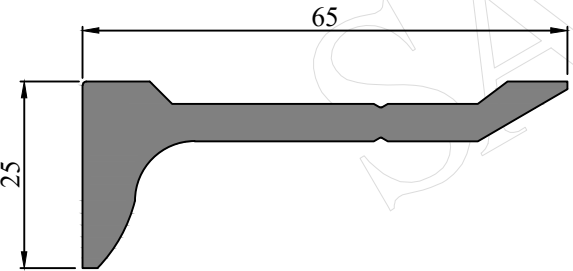
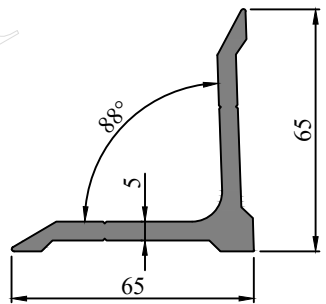
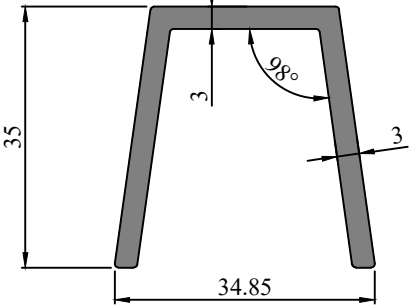
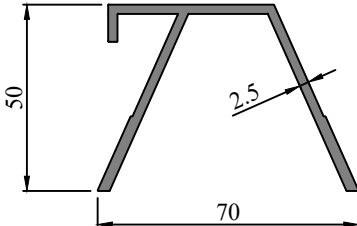
ALL DIMENSIONS ARE IN MM

WEIGHT TOLERANCE  $\pm 7$  TO 10%

REVISED ON DATE - 01/03/2024

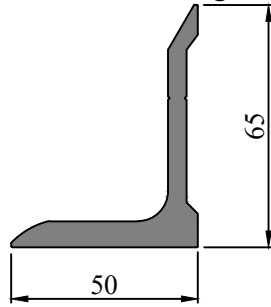
SATYA METAL INDUSTRIES PVT.LTD

Address : Khasra No.480, Shimla Pistaar, Kichha Road Rudrapur, U.s.Nagar, Uttarakhand - 263153  
Mob: 08477897789 | 09415215083 | E-mail : satyametal@rediffmail.com | Website : www.satyametal.com

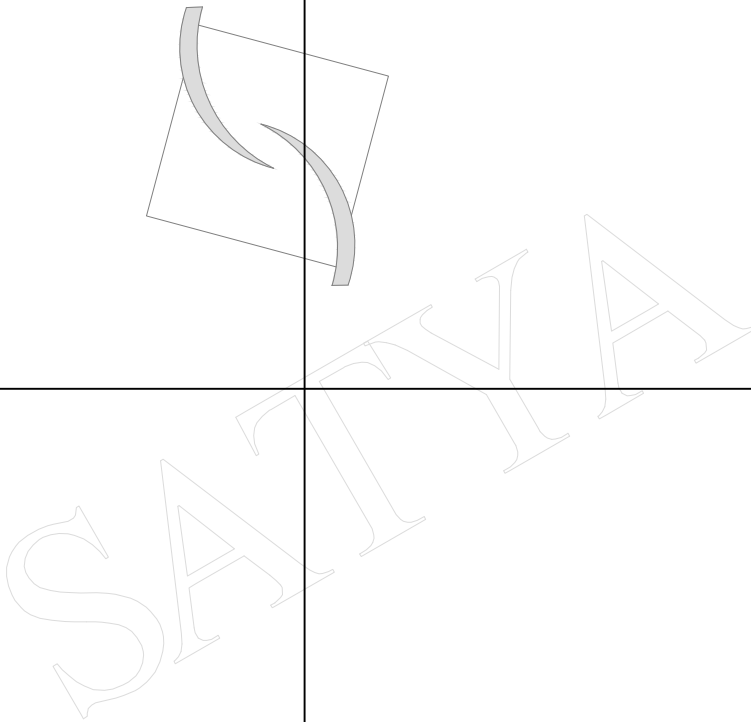
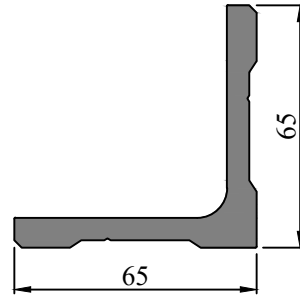
<p>SEC. NO. IS00198 WEIGHT - 3.00 Kg/M</p> 	<p>SEC. NO. IS00199 WEIGHT - 3.48 Kg/M</p> 
<p>SEC. NO. IS00200 WEIGHT - 2.50 Kg/M</p> 	<p>SEC. NO. IS00208 WEIGHT - 0.327 Kg/M</p> 
<p>SEC. NO. IS00209 WEIGHT - 1.24 Kg/M</p> 	<p>SEC. NO. IS00210 WEIGHT - 1.71 Kg/M</p> 
<p>SEC. NO. IS00211 WEIGHT - 1.71 Kg/M</p> 	<p>SEC. NO. IS00213 WEIGHT - 1.115 Kg/M</p> 

ALL DIMENSIONS ARE IN MM	WEIGHT TOLERANCE $\pm 7$ TO 10%	REVISED ON DATE - 01/03/2024
--------------------------	---------------------------------	------------------------------

SEC. NO. IS00223  
 WEIGHT - 1.71 Kg/M



SEC. NO. IS00227  
 WEIGHT - 2.31 Kg/M



ALL DIMENSIONS ARE IN MM

WEIGHT TOLERANCE  $\pm 7$  TO 10%

REVISED ON DATE - 01/03/2024

SATYA METAL INDUSTRIES PVT.LTD

Address : Khasra No.480, Shimla Pistaar, Kichha Road Rudrapur, U.s.Nagar, Uttarakhand - 263153  
 Mob: 08477897789 | 09415215083 | E-mail : satyametal@rediffmail.com | Website : www.satyametal.com