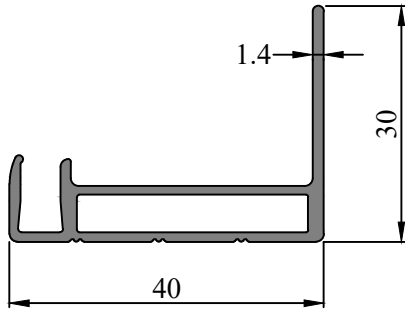
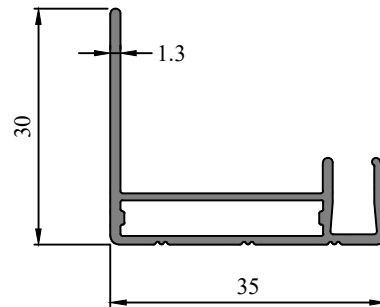


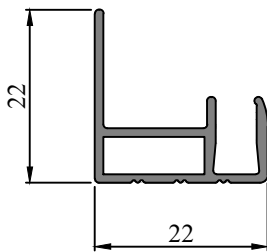
SEC. NO. IS0050
WEIGHT - 0.410 Kg/M



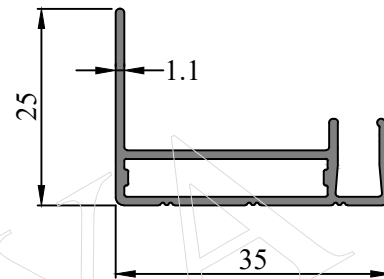
SEC. NO. IS0053
WEIGHT - 0.330 Kg/M



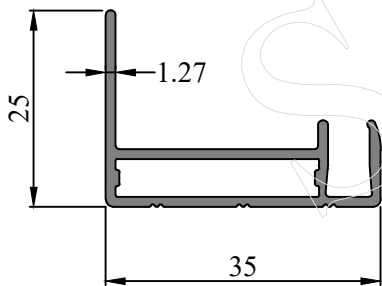
SEC. NO. IS0090
WEIGHT - 0.230 Kg/M



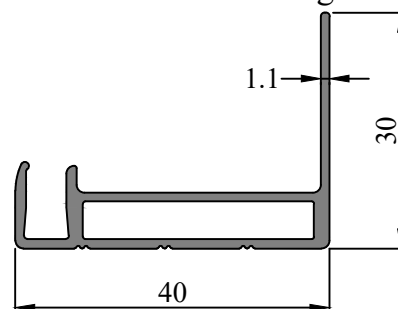
SEC. NO. IS0091
WEIGHT - 0.320 Kg/M



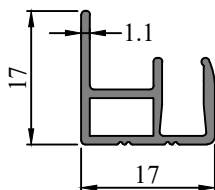
SEC. NO. IS0092
WEIGHT - 0.350 Kg/M



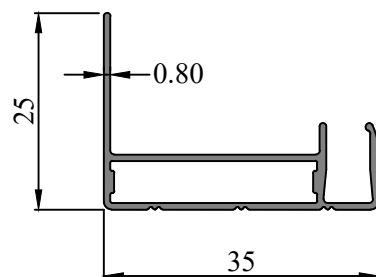
SEC. NO. IS0093
WEIGHT - 0.390 Kg/M



SEC. NO. IS0094
WEIGHT - 0.180 Kg/M



SEC. NO. IS00110
WEIGHT - 0.245 Kg/M



ALL DIMENSIONS ARE IN MM

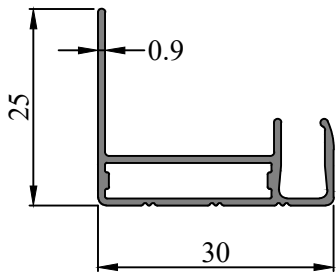
WEIGHT TOLERANCE ± 7 TO 10%

REVISED ON DATE - 01/03/2024

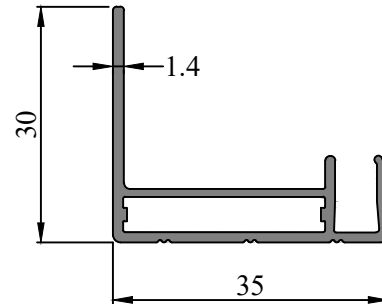
SATYA METAL INDUSTRIES PVT.LTD

Address : Khasra No.480, Shimla Pistaaur, Kichha Road Rudrapur, U.s.Nagar, Uttarakhand - 263153
Mob: +91-8477897789 | +91-9415215083 | E-mail : satyametal@rediffmail.com | Website : www.satyametal.com

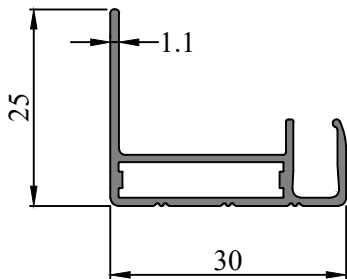
SEC. NO. IS00111
WEIGHT - 0.240 Kg/M



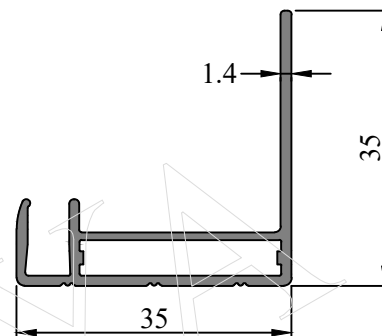
SEC. NO. IS00143
WEIGHT - 0.365 Kg/M



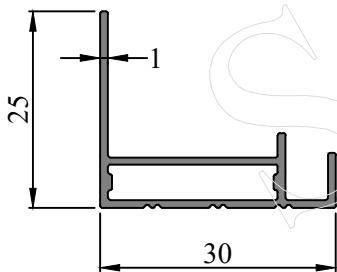
SEC. NO. IS00144
WEIGHT - 0.270 Kg/M



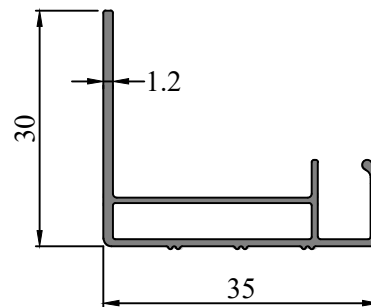
SEC. NO. IS00145
WEIGHT - 0.380 Kg/M



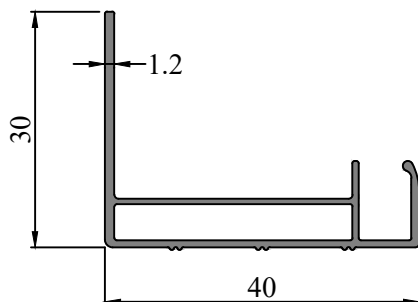
SEC. NO. IS00150
WEIGHT - 0.240 Kg/M



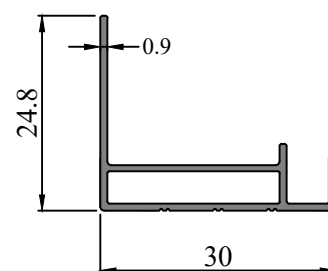
SEC. NO. IS00172
WEIGHT - 0.280 Kg/M



SEC. NO. IS00173
WEIGHT - 0.300 Kg/M



SEC. NO. IS00174
WEIGHT - 0.210 Kg/M



ALL DIMENSIONS ARE IN MM

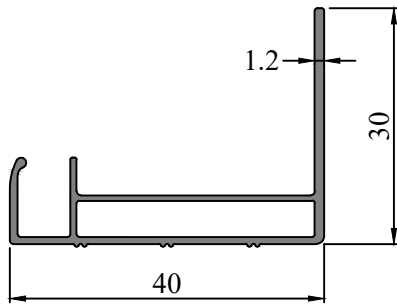
WEIGHT TOLERANCE ± 7 TO 10%

REVISED ON DATE - 01/03/2024

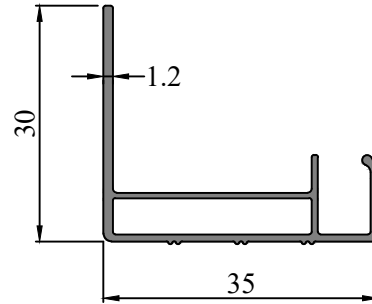
SATYA METAL INDUSTRIES PVT.LTD

Address : Khasra No.480, Shimla Pistaur, Kichha Road Rudrapur, U.s.Nagar, Uttarakhand - 263153
Mob: +91-8477897789 | +91-9415215083 | E-mail : satyametal@rediffmail.com | Website : www.satyametal.com

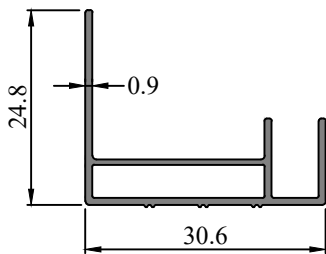
SEC. NO. IS00214
 WEIGHT - 0.339 Kg/M



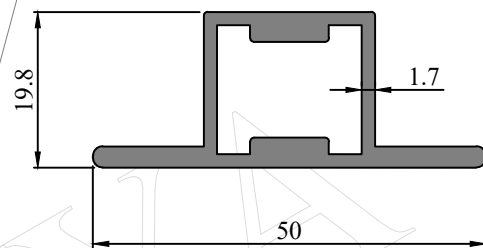
SEC. NO. IS00215
 WEIGHT - 0.318 Kg/M



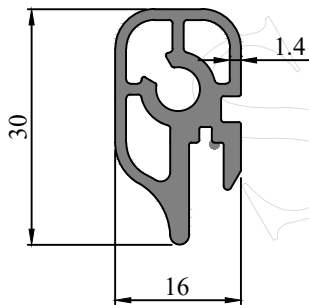
SEC. NO. IS00216
 WEIGHT - 0.224 Kg/M



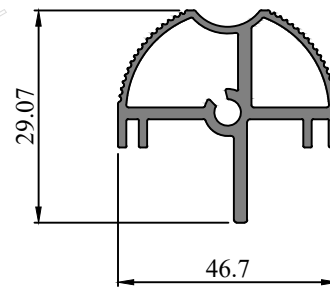
SEC. NO. IS00232
 WEIGHT - 1.02 Kg/M



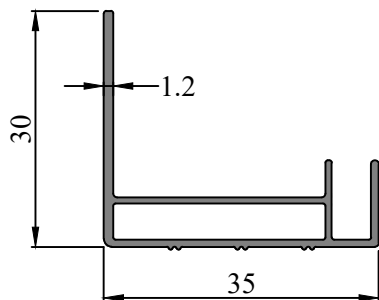
SEC. NO. IS00233
 WEIGHT - 0.510 Kg/M



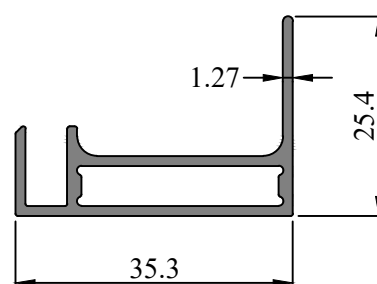
SEC. NO. IS00234
 WEIGHT - 1.00 Kg/M



SEC. NO. IS00236
 WEIGHT - 0.288 Kg/M



SEC. NO. 412009
 WEIGHT - 0.380 Kg/M



ALL DIMENSIONS ARE IN MM

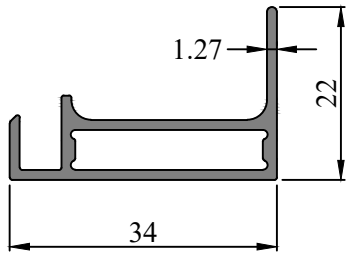
WEIGHT TOLERANCE ± 7 TO 10%

REVISED ON DATE - 01/03/2024

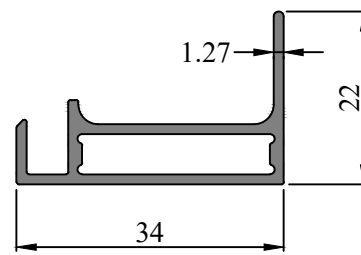
SATYA METAL INDUSTRIES PVT.LTD

Address : Khasra No.480, Shimla Pistaar, Kichha Road Rudrapur, U.s.Nagar, Uttarakhand - 263153
 Mob: +91-8477897789 | +91-9415215083 | E-mail : satyametal@rediffmail.com | Website : www.satyametal.com

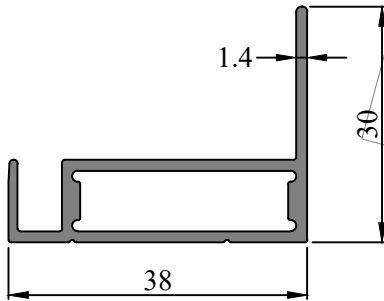
SEC. NO. 413009
WEIGHT - 0.340 Kg/M



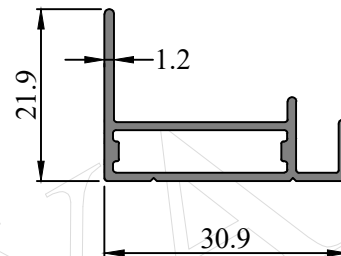
SEC. NO. 413010
WEIGHT - 0.345 Kg/M



SEC. NO. 414010
WEIGHT - 0.445 Kg/M

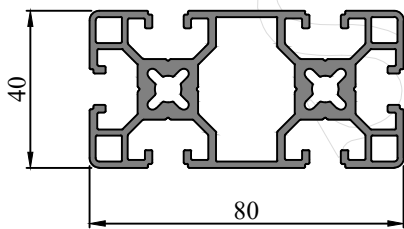


SEC. NO. 415010
WEIGHT - 0.270 Kg/M

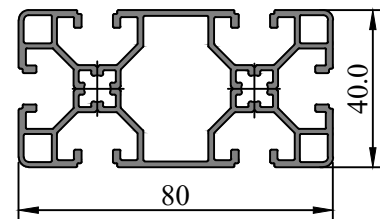


DISPLAY SECTION

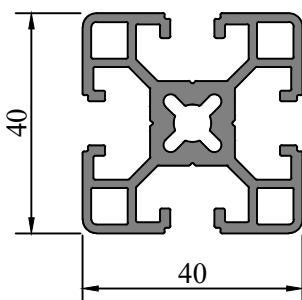
SEC. NO. IS00228
WEIGHT - 2.474 Kg/M



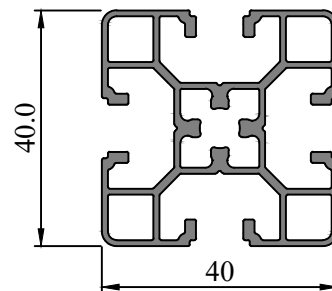
SEC. NO. IS00230
WEIGHT - 1.849 Kg/M



SEC. NO. IS00229
WEIGHT - 1.419 Kg/M



SEC. NO. IS00231
WEIGHT - 0.792 Kg/M



ALL DIMENSIONS ARE IN MM

WEIGHT TOLERANCE ± 7 TO 10%

REVISED ON DATE - 01/03/2024

SATYA METAL INDUSTRIES PVT.LTD

Address : Khasra No.480, Shimla Pistaur, Kichha Road Rudrapur, U.s.Nagar, Uttarakhand - 263153
Mob: +91-8477897789 | +91-9415215083 | E-mail : satyametal@rediffmail.com | Website : www.satyametal.com