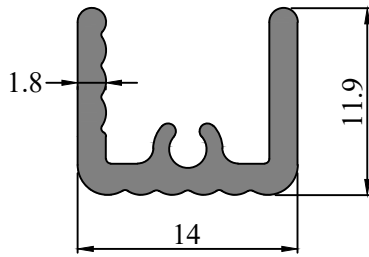
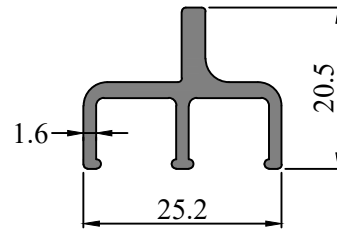


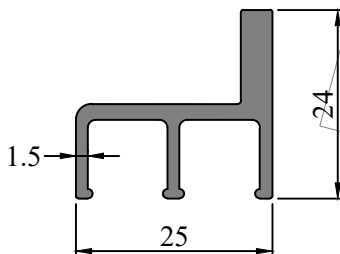
SEC. NO. IS0010
WEIGHT - 0.175 Kg/M



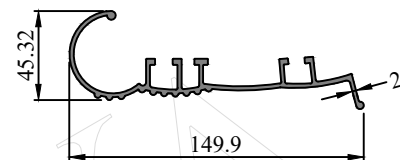
SEC. NO. IS0011
WEIGHT - 0.330 Kg/M



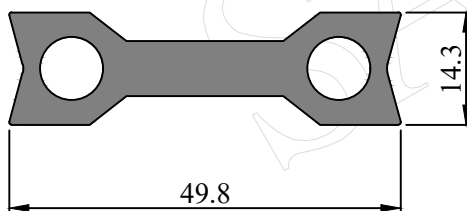
SEC. NO. IS0012
WEIGHT - 0.395 Kg/M



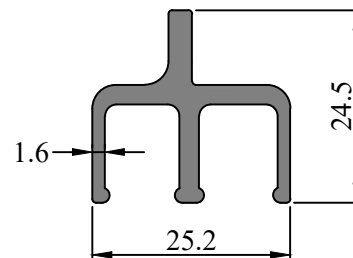
SEC. NO. IS0061
WEIGHT - 1.80 Kg/M



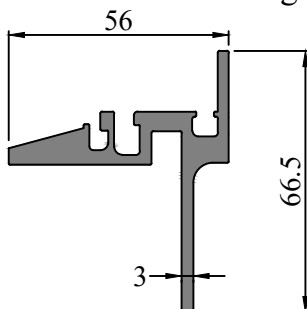
SEC. NO. IS0062
WEIGHT - 1.10 Kg/M



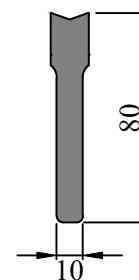
SEC. NO. IS0063
WEIGHT - 0.450 Kg/M



SEC. NO. IS00121
WEIGHT - 1.550 Kg/M



SEC. NO. IS00151
WEIGHT - 2.40 Kg/M



ALL DIMENSIONS ARE IN MM

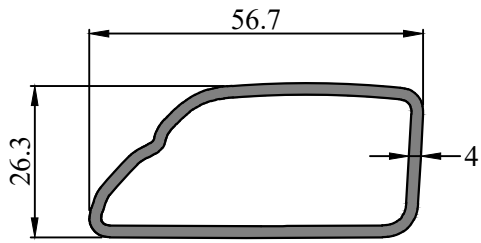
WEIGHT TOLERANCE ± 7 TO 10%

REVISED ON DATE - 01/03/2024

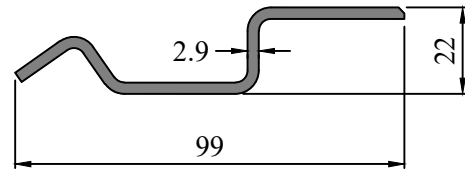
SATYA METAL INDUSTRIES PVT.LTD

Address : Khasra No.480, Shimla Pistaur, Kichha Road Rudrapur, U.s.Nagar, Uttarakhand - 263153
Mob: +91-8477897789 | +91-9415215083 | E-mail : satyametal@rediffmail.com | Website : www.satyametal.com

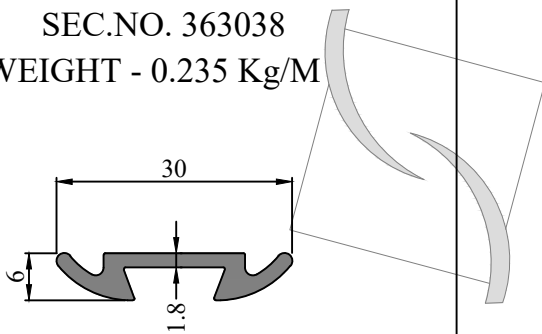
SEC. NO. IS00224
 WEIGHT - 0.756 Kg/M



SEC. NO. IS00225
 WEIGHT - 0.947 Kg/M



SEC.NO. 363038
 WEIGHT - 0.235 Kg/M



SATYA

ALL DIMENSIONS ARE IN MM

WEIGHT TOLERANCE ± 7 TO 10%

REVISED ON DATE - 01/03/2024

SATYA METAL INDUSTRIES PVT.LTD

Address : Khasra No.480, Shimla Pistaar, Kichha Road Rudrapur, U.s.Nagar, Uttarakhand - 263153
 Mob: +91-8477897789 | +91-9415215083 | E-mail : satyametal@rediffmail.com | Website : www.satyametal.com