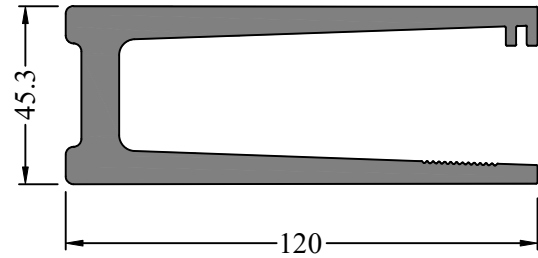
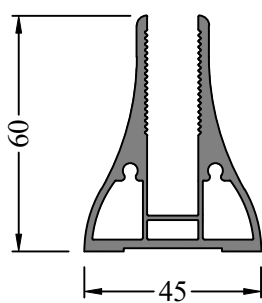


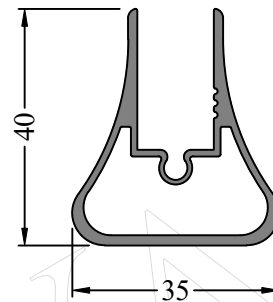
**Profile Code - 366203**  
**Weight KG /M - 2.747**



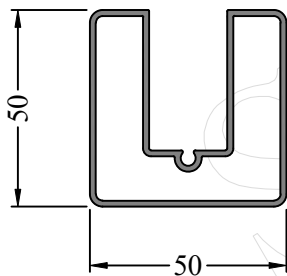
**Profile Code - 366204**  
**Weight KG /M - 5.268**



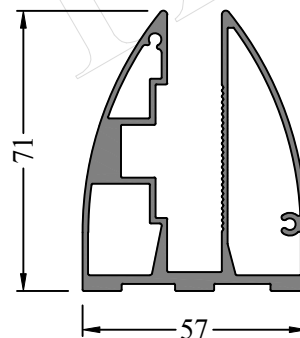
**Profile Code - 366205**  
**Weight KG /M - 1.513**



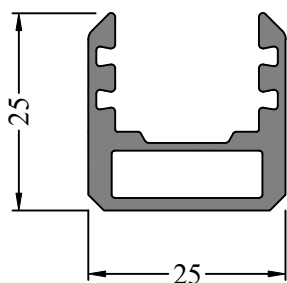
**Profile Code - 366206**  
**Weight KG /M - 0.616**



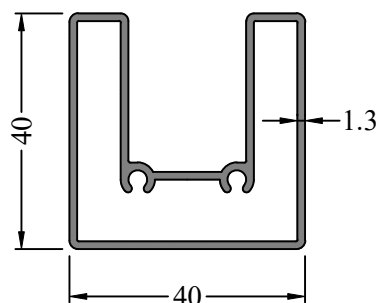
**Profile Code - 366207**  
**Weight KG /M - 1.078**



**Profile Code - 366208**  
**Weight KG /M - 1.980**



**Profile Code - 366209**  
**Weight KG /M - 0.512**



**Profile Code - 366210**  
**Weight KG /M - 0.764**

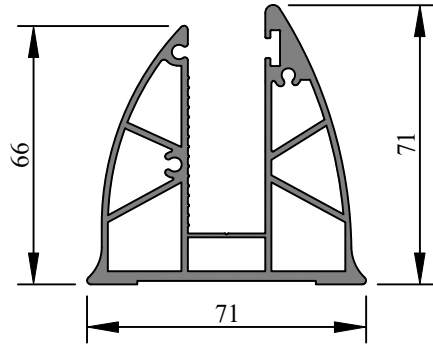
ALL DIMENSIONS ARE IN MM

WEIGHT TOLERANCE  $\pm 7$  TO 10%

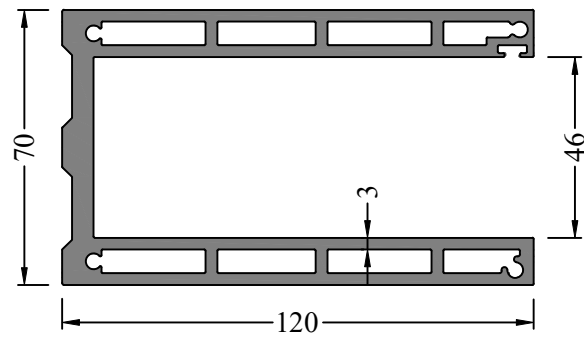
REVISED ON DATE - 01/01/2026

SATYA METAL INDUSTRIES PVT.LTD

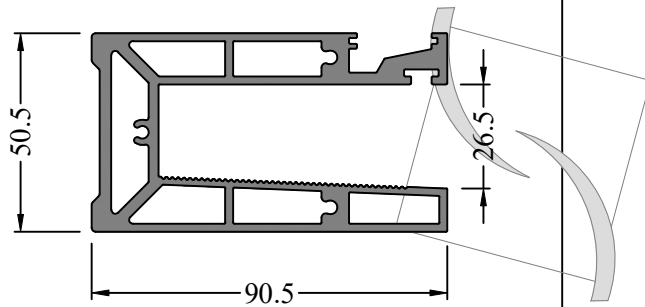
Address : Khasra No.480, Shimla Pistaar, Kichha Road Rudrapur, U.s.Nagar, Uttarakhand - 263153  
Mob: +91-8477897789 | +91-9415215083 | E-mail : satyametal@rediffmail.com | Website : www.satyametal.com



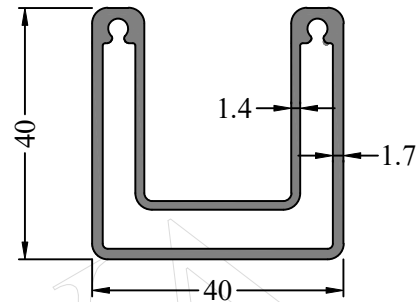
**Profile Code - 366211**  
**Weight KG /M - 2.309**



**Profile Code - 366214**  
**Weight KG /M - 5.274**



**Profile Code - 366213**  
**Weight KG /M - 3.160**



**Profile Code - 366215**  
**Weight KG /M - 0.943**

ALL DIMENSIONS ARE IN MM

WEIGHT TOLERANCE  $\pm 7$  TO 10%

REVISED ON DATE - 01/01/2026

SATYA METAL INDUSTRIES PVT.LTD

Address : Khasra No.480, Shimla Pistaur, Kichha Road Rudrapur, U.s.Nagar, Uttarakhand - 263153  
Mob: +91-8477897789 | +91-9415215083 | E-mail : satyametal@rediffmail.com | Website : www.satyametal.com