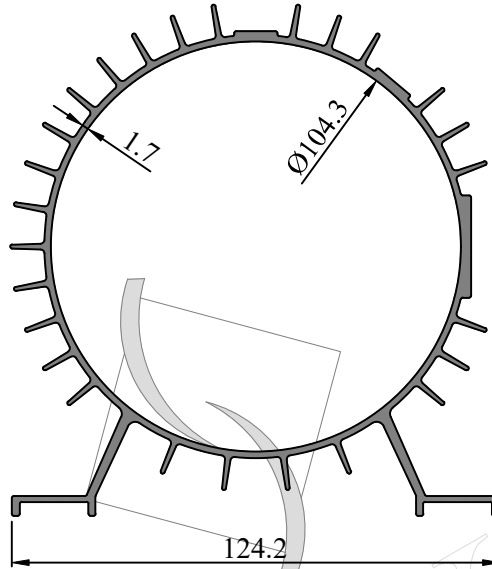
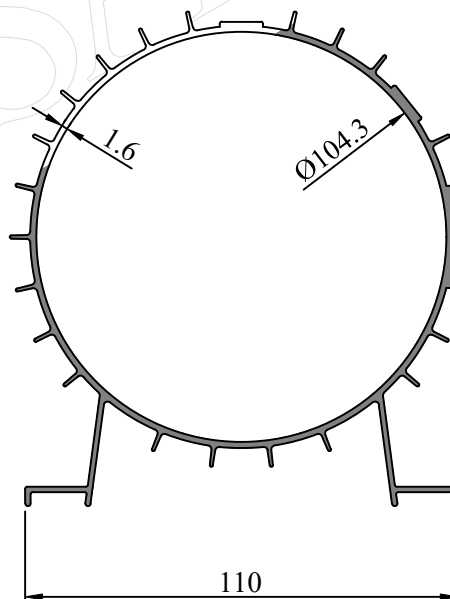


SEC. NO. IS00273
WEIGHT - 3.013 Kg/M



SEC. NO. IS00274
WEIGHT - 2.158 Kg/M



ALL DIMENSIONS ARE IN MM

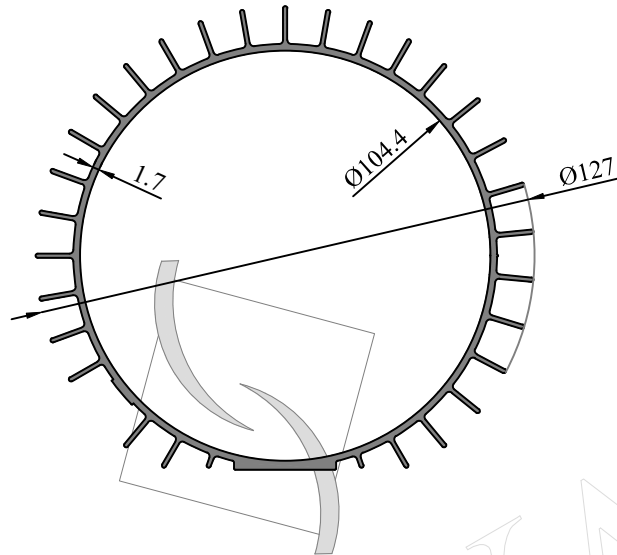
WEIGHT TOLERANCE ± 7 TO 10%

SATYA METAL INDUSTRIES PVT.LTD

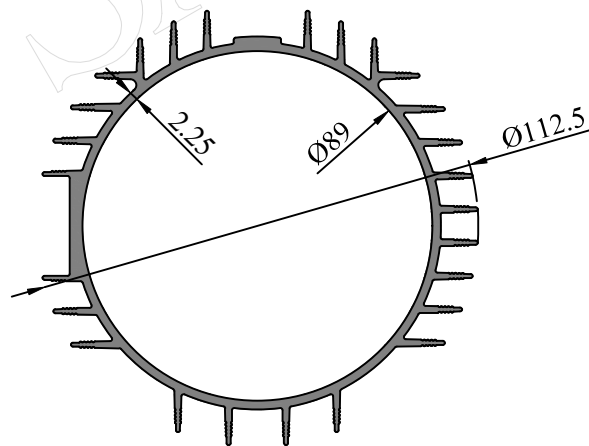
Address : Khasra No.480, Shimla Pistaar, Kichha Road Rudrapur, U.s.Nagar, Uttarakhand - 263153
Mob: +91-8477897789 | +91-9415215083 | E-mail : satyametal@rediffmail.com | Website : www.satyametal.com

01

SEC. NO. IS00278
WEIGHT - 2.480 Kg/M



SEC. NO. IS00279
WEIGHT - 2.964Kg/M



ALL DIMENSIONS ARE IN MM

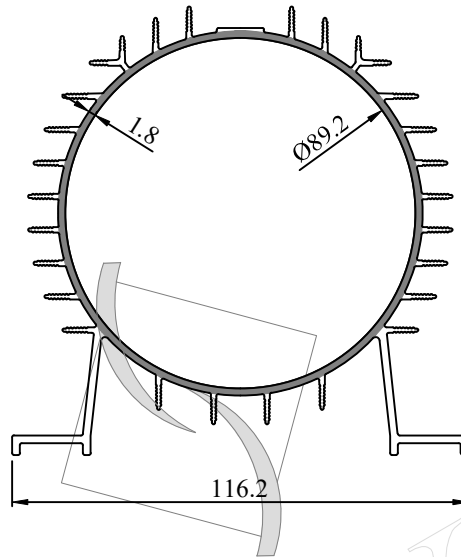
WEIGHT TOLERANCE ± 7 TO 10%

SATYA METAL INDUSTRIES PVT.LTD

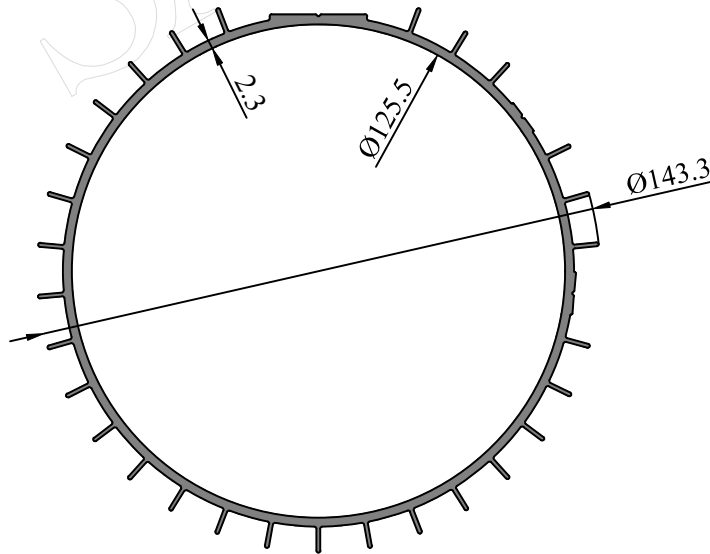
Address : Khasra No.480, Shimla Pistaar, Kichha Road Rudrapur, U.s.Nagar, Uttarakhand - 263153
Mob: +91-8477897789 | +91-9415215083 | E-mail : satyametal@rediffmail.com | Website : www.satyametal.com

02

SEC. NO. IS00280
 WEIGHT - 2.732 Kg/M



SEC. NO. IS00281
 WEIGHT - 3.072Kg/M



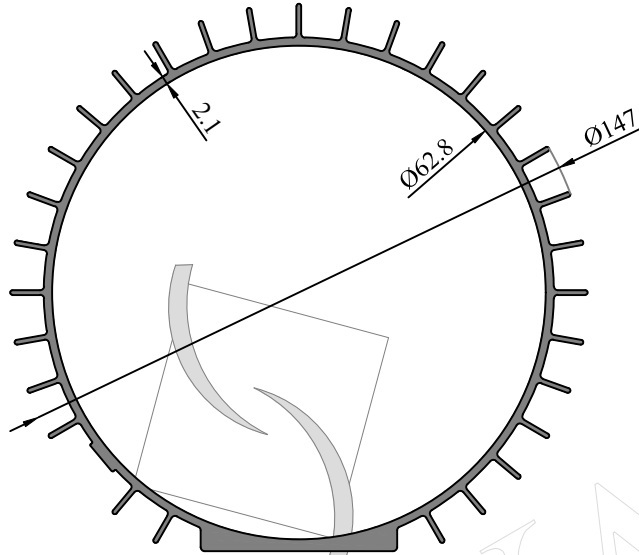
ALL DIMENSIONS ARE IN MM

WEIGHT TOLERANCE ± 7 TO 10%

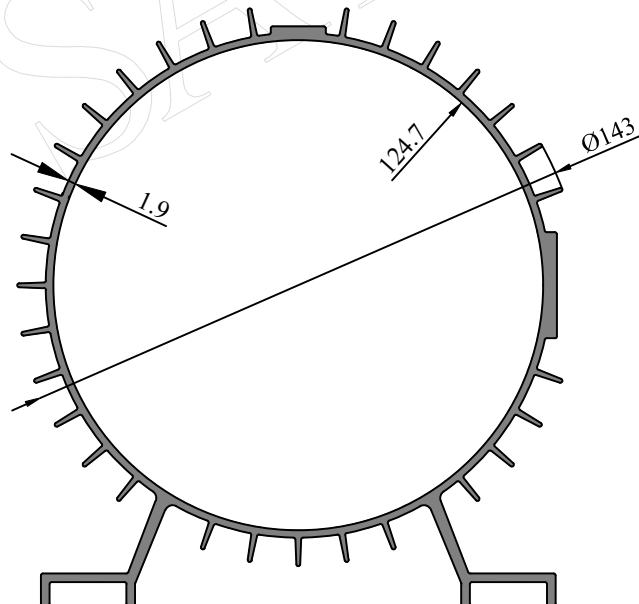
SATYA METAL INDUSTRIES PVT.LTD

Address : Khasra No.480, Shimla Pistaar, Kichha Road Rudrapur, U.s.Nagar, Uttarakhand - 263153
 Mob: +91-8477897789 | +91-9415215083 | E-mail : satyametal@rediffmail.com | Website : www.satyametal.com

SEC. NO. IS00294
WEIGHT - 3.494 Kg/M



SEC. NO. IS00302
WEIGHT - 3.750 Kg/M



ALL DIMENSIONS ARE IN MM

WEIGHT TOLERANCE ± 7 TO 10%

SATYA METAL INDUSTRIES PVT.LTD

Address : Khasra No.480, Shimla Pistaar, Kichha Road Rudrapur, U.s.Nagar, Uttarakhand - 263153
Mob: +91-8477897789 | +91-9415215083 | E-mail : satyametal@rediffmail.com | Website : www.satyametal.com

04